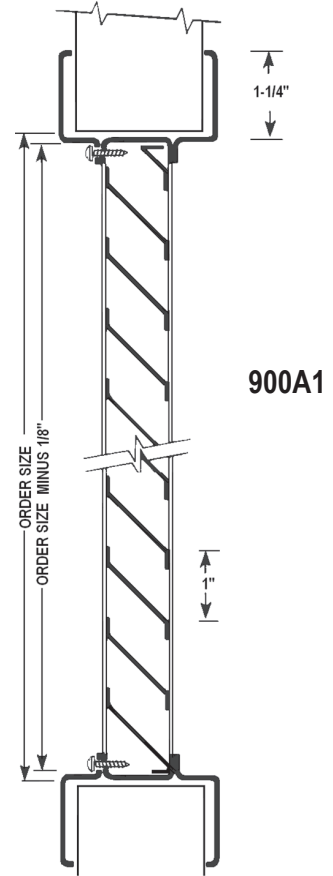


Standard "Z" Blades Recommended for Schools, Class "A" and Institutional Buildings.



900A1  
Photo &  
Drawing



**SPECIFICATIONS:**

<b>Material:</b>	18 gauge CRS frame and blades. Min size 6" x 4", Max 48" x 80".
<b>Construction:</b>	<b>Louvers:</b> "Z" blades with 1" blade spacing are attached by interlocking construction to the 1" deep, welded frame. Non-vision design. <b>900A1 Frame:</b> 1-1/4" trim, mitered and welded corners. Screws fasten through frame into louver core, leaving corridor side of frame free of fasteners.
<b>Door:</b>	_____ 1-3/4" - A1 Style. Door cutout = order size. _____ 1 3/8"-1 3/4" - 900CORE, 900C, 900A
<b>Mounting Options:</b>	_____ <b>Select one mounting option from table below.</b>
<b>Fasteners:</b>	Phillips head screws #8 x 3/4".
<b>Powder Coat Finishes:</b>	_____ (B) Mineral Bronze (standard color) _____ (G) Gray _____ (BK) Black _____ (FBK) Flat Black _____ (W) White _____ (SB) SC Beige _____ (SA) Satin Aluminum _____ (S) Sand _____ (AB) AMS Beige _____ (R) Red _____ (GH) Gray Hammertone <b>Color Samples Online</b>
<b>Free Flow Area:</b>	43% free area.

**OPTIONAL FEATURES AT AN ADDITIONAL COST:**

<b>Finishes &amp; Materials:</b>	_____ (S) 18 gauge stainless steel, #4 finish _____ 16 gauge CRS _____ (G) Galvanized sheet for exterior use and corrosion-resistance _____ (EG) Electro Galvanized for corrosion resistance & exterior use _____ Special order colors. Please provide color chip.
<b>Fasteners:</b>	_____ Torx _____ Hex head _____ Other: _____
<b>Screen:</b>	_____ 18x14 mesh insect screen installed in roll-formed aluminum frame _____ aluminum _____ bronze _____ fiberglass _____ stainless _____ Bird Screen.
<b>Custom:</b>	Custom sizes, other door thickness, other options; Contact Customer Service.

**Order Format:** 900 \_\_\_\_\_  
**Example:** 900C1212AB A,A1,CORE,C Option S,G,EG W H Color

DOOR MOUNTING OPTIONS - SELECT ONE	
<b>900A1:</b> Self-attaching, vandal-proof design; basic blade unit with flanged frame welded to face (corridor) side and separate removable flanged frame on opposite side; fits 1-3/4" door only.	
<b>900CORE:</b> Basic blade unit only; for interior door or as transom louver held in place with wood or metal moulding (furnished by others)	
<b>900C:</b> Basic blade unit with single flanged frame welded to face (corridor) side; for interior or exterior door; wood or metal moulding (by others) used on opposite side	
<b>900A:</b> Basic blade unit with flanged frame welded to face (corridor) side and separate flanged frame on opposite side; frame adjustable to fit any door thickness from 1-3/8" to 1-3/4"	

	<b>Distributor:</b> _____	<b>Width:</b> _____ x <b>Height:</b> _____
	<b>Architect:</b> _____	<b>Quantity:</b> _____
	<b>Contractor:</b> _____	<b>Model:</b> _____
	<b>Project:</b> _____	<b>Date:</b> _____ <b>Version:</b> ALSPDS1001
HDQTRS:4450 WEST 78 <sup>TH</sup> ST CIR., BLOOMINGTON, MN 55435-5416 PH: 800-554-6077 FAX: 952-835-2218 EMAIL: SALES@AIRLOUVERS.COM VISIT <b>WWW.ACTIVARCPG.COM</b> FOR THE MOST UPDATED PRODUCT INFORMATION • AN ACTIVAR CONSTRUCTION PRODUCTS COMPANY ACPG WEST COAST (AIR LOUVERS MANUFACTURING):COMMERCE CA • WAREHOUSES:LANCASTER PA, ATLANTA GA, CHICAGO IL , Bloomington MN		